

NESTiG

The Discovery Shelf



Please read all instructions before assembly
and use of product!

Lisez toutes les instructions avant
d'assembler et d'utiliser le produit!

Welcome to the Nestig World!

Our Warranty

Our products come with a limited two year warranty! We do our best to ensure everything arrives in perfect shape, but if anything arrives damaged, missing, or defective, our Customer Experience team is here to help.

Just email us at hello@nestig.com and we'll be glad to assist!

For more information on our warranty, visit:

<https://www.nestig.com/pages/warranty-policy>

Bienvenue dans le monde de Nestig!

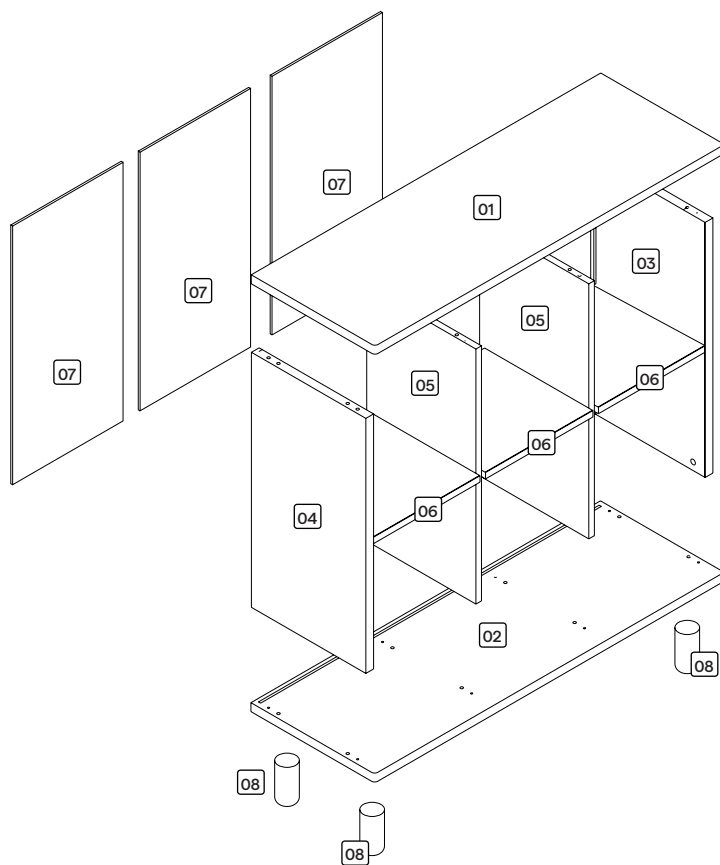
Notre Garantie

Nos produits sont accompagnés d'une garantie limitée de deux ans! Nous faisons de notre mieux pour que tout arrive forme parfaite, mais si quelque chose arrive endommagé, manquant ou défectueux, notre équipe Expérience Client est là pour vous aider.

Envoyez-nous un e-mail à hello@nestig.com et nous serons heureux de vous aider!

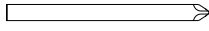
Pour plus d'informations sur notre garantie, visitez:

<https://www.nestig.com/pages/warranty-policy>



Item	Description	Quantity
01	Top panel	01
02	Base	01
03	Right side panel	01
04	Left side panel	01
05	Partition	02
06	Shelf	03
07	Back panel	03
08	Legs	04

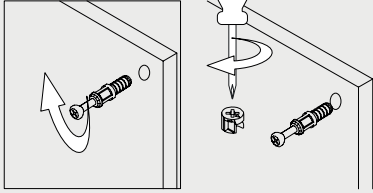
Not included: Phillips head screwdriver and hammer



Phillips head screwdriver

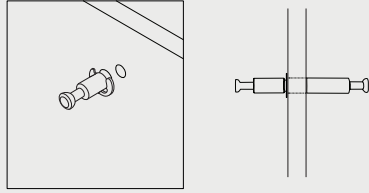
How to use the cam lock nut and bolt

Figure (01)



How to use the double pin set

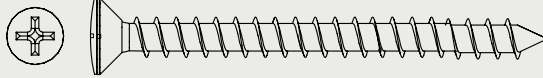
Figure (02)



Hardware list

A

Qty. 08



4.5x60mm screw

B

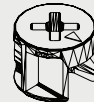
Qty. 12



Cam lock bolt

C

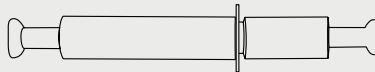
Qty. 18



Cam lock nut

D

Qty. 04



Double pin

E

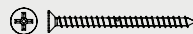
Qty. 28



8x40mm dowel

F

Qty. 12



3.5x20mm screw

G



Qty. 12

Back panel fastener

H



Qty. 16

Adhesive hole cover

I

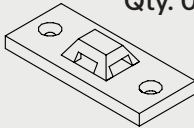


Qty. 04

Wooden adhesive hole cover

Anti-tipping kit

J



Qty. 04

Anti-tipping panel

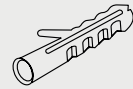
K



Qty. 02

Anti-tipping fastener

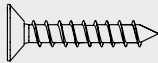
L



Qty. 04

Anchor 6mm

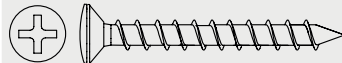
M



Qty. 04

Anti-tipping 3.5x16mm screw

N

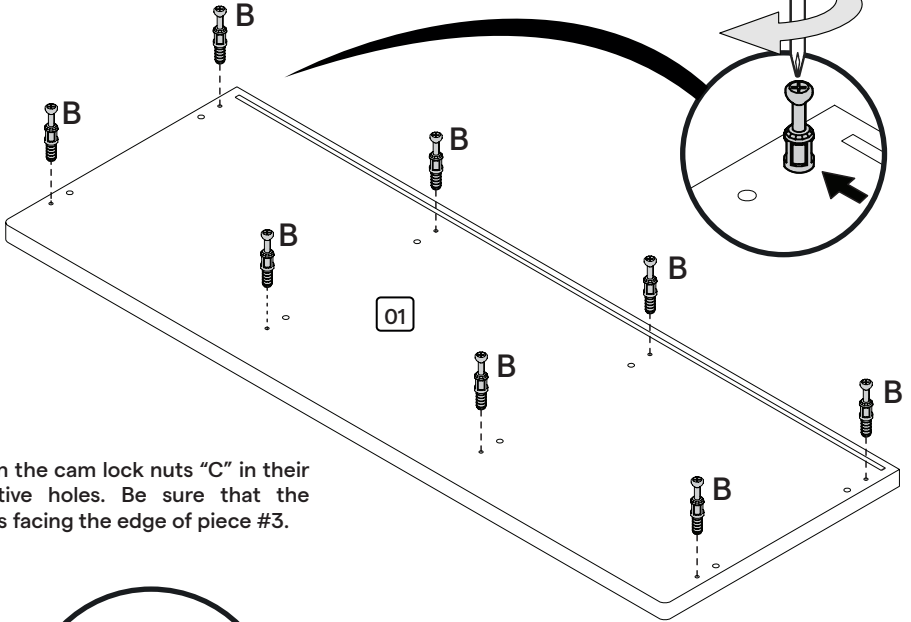
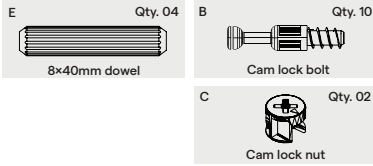


Qty. 04

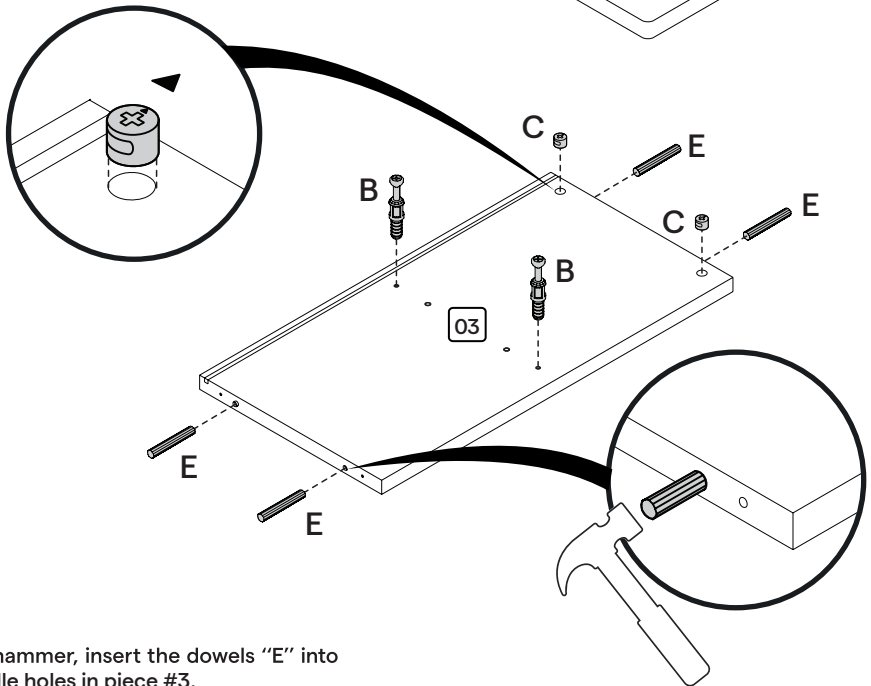
Anti-tipping 4x35mm screw

STEP 1 01 03

Position the top panel (#1) on a clean and smooth surface. Using a Phillips screwdriver, screw all the cam lock bolts "B" into their respective holes.

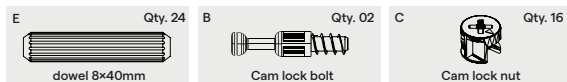


Position the cam lock nuts "C" in their respective holes. Be sure that the arrow is facing the edge of piece #3.

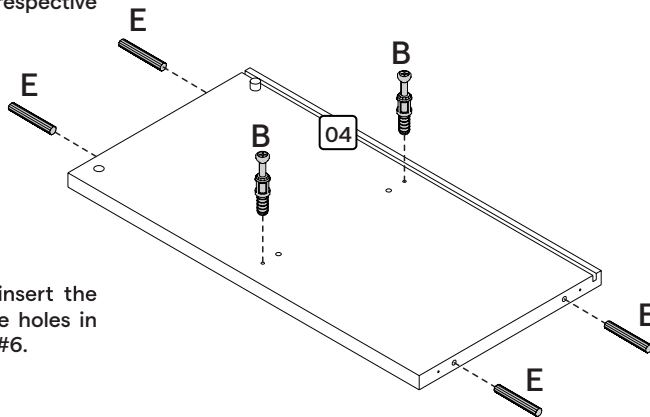


Using a hammer, insert the dowels "E" into the middle holes in piece #3.

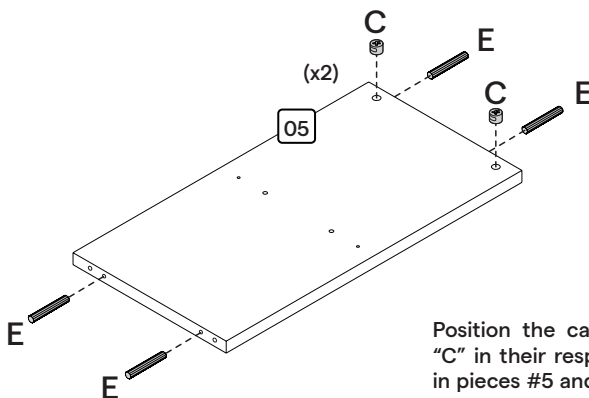
STEP 2 04 05 06



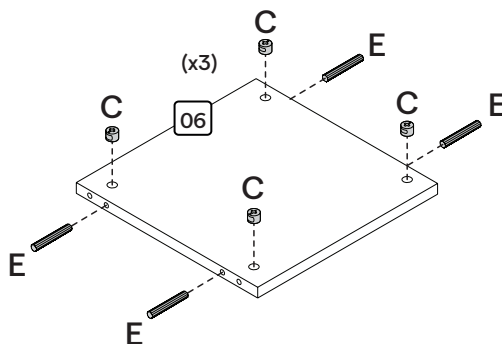
Using a Phillips screwdriver, screw all the cam lock bolts "B" into their respective holes.



Using a hammer, insert the dowels "E" into the holes in pieces #4, #5 and #6.

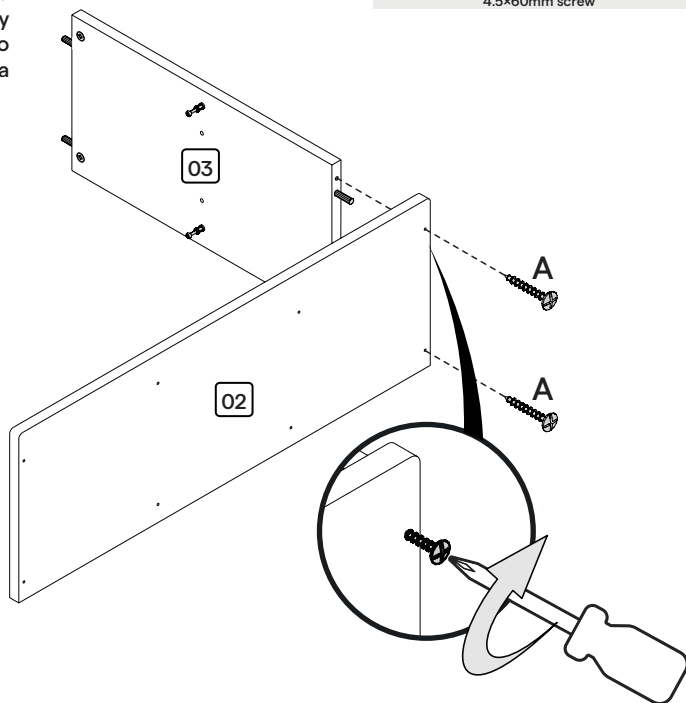
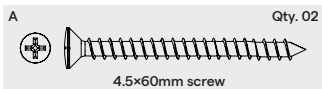


Position the cam lock nuts "C" in their respective holes in pieces #5 and #6. Be sure that the arrow is facing the edge of each piece.



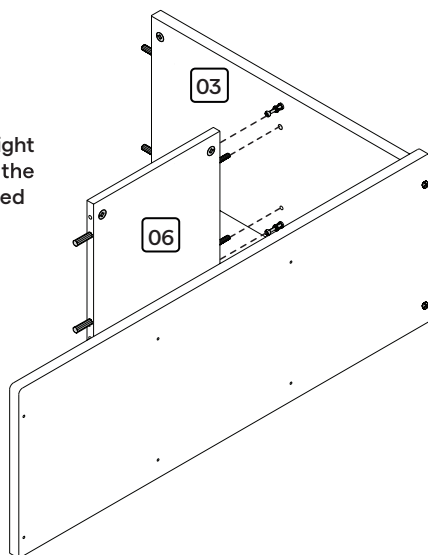
STEP 3 02 03

Attach the base (#2) to the right side panel (#3) by screwing hardware "A" into the holes indicated using a Phillips screwdriver.



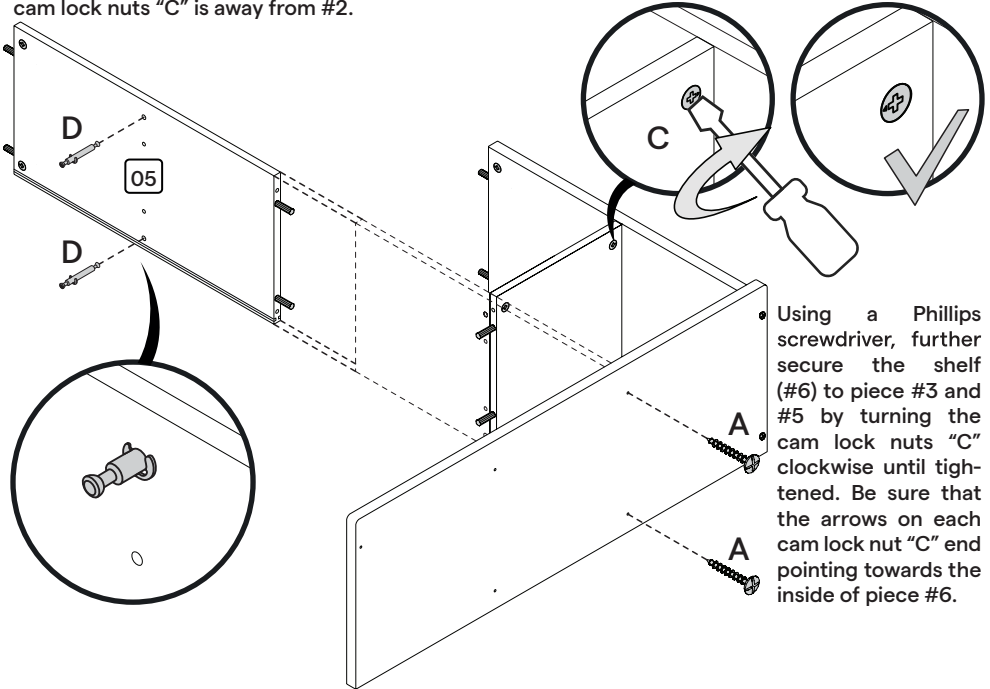
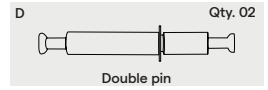
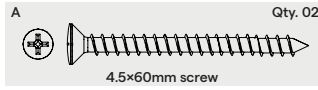
STEP 4 06 03

Attach a shelf (#6) to the right side panel (#3) by inserting the dowels "E" into the designated holes.



STEP 5 05

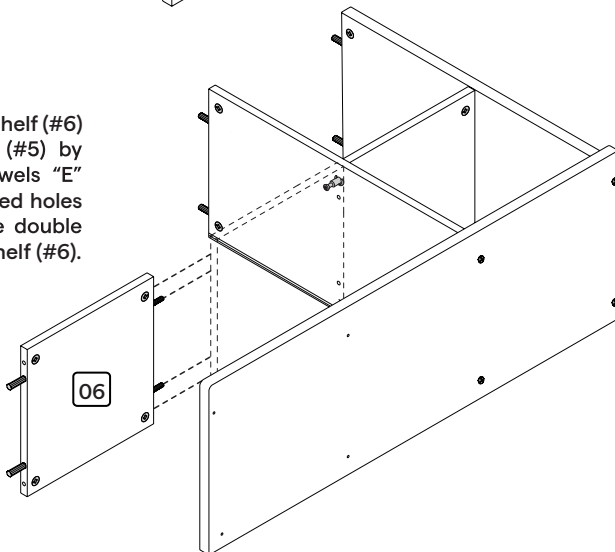
Connect a partition (#5) to the base (#2) by screwing hardware "A" into the holes indicated using a Phillips screwdriver and inserting the double pin "D" into the designated holes. Be sure that the side with the cam lock nuts "C" is away from #2.



Using a Phillips screwdriver, further secure the shelf (#6) to piece #3 and #5 by turning the cam lock nuts "C" clockwise until tightened. Be sure that the arrows on each cam lock nut "C" end pointing towards the inside of piece #6.

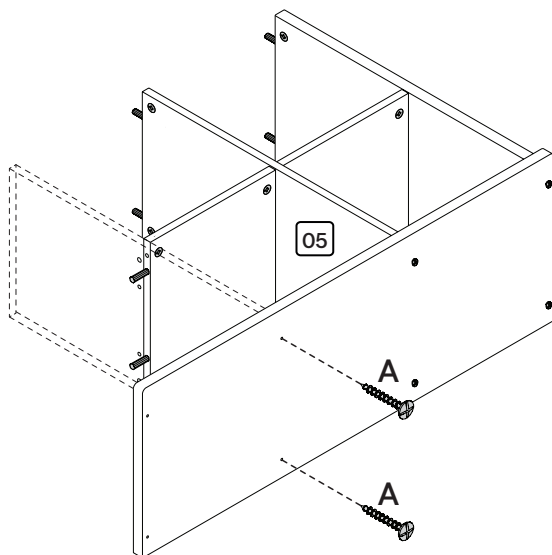
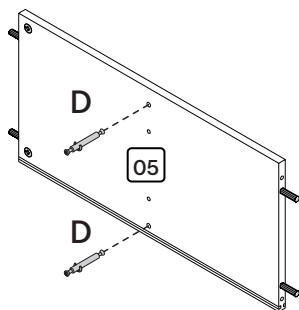
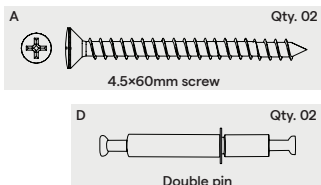
STEP 6 06

Attach a second shelf (#6) to the partition (#5) by inserting the dowels "E" into the designated holes and inserting the double pin "D" into the shelf (#6).



STEP 7 05

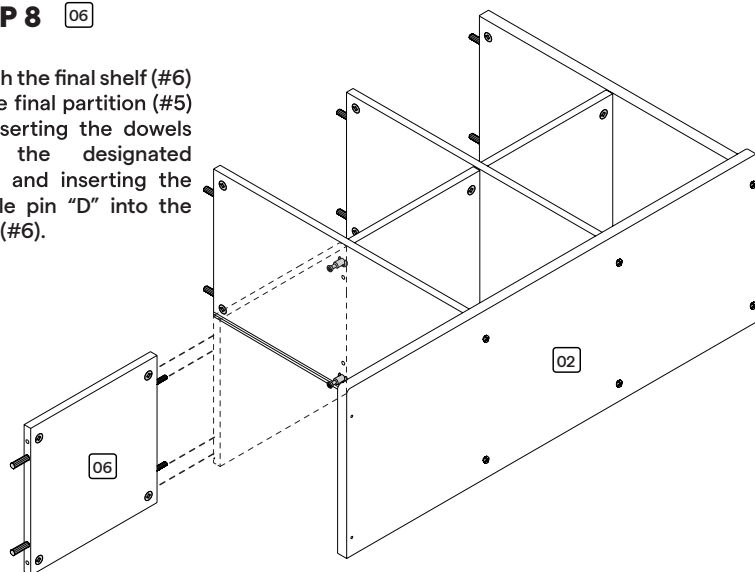
Connect a second partition (#5) to the base (#2) by screwing hardware "A" into the holes indicated using a Phillips screwdriver and inserting the double pin "D" into the designated holes.



Using a Phillips screwdriver, further secure the second shelf (#6) to both pieces #5 by turning the cam lock nut "C" clockwise until tightened. Be sure that the arrows on each cam lock nut "C" end pointing towards the inside of piece #6.

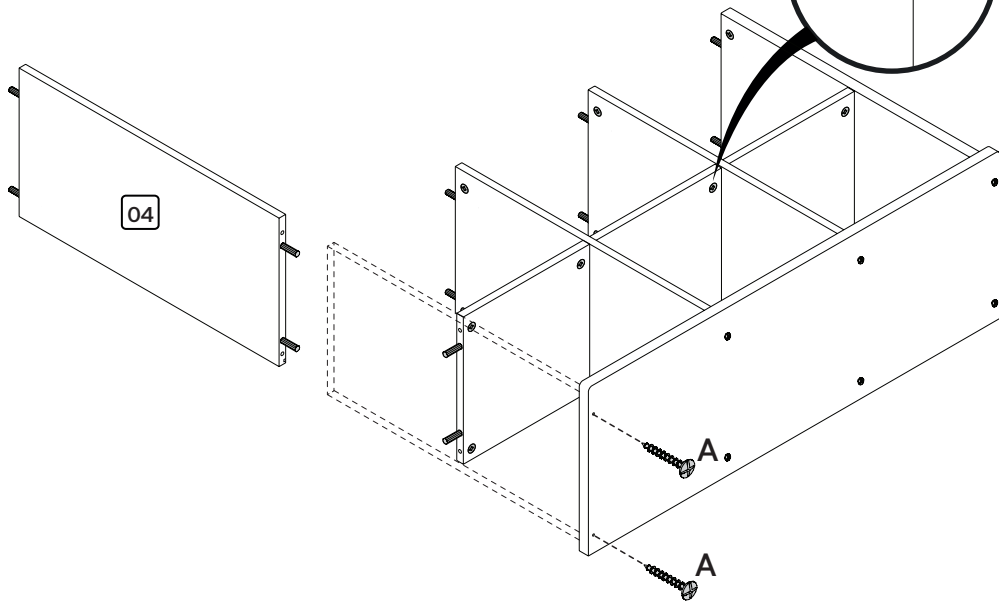
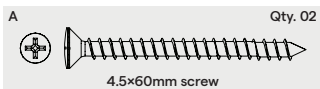
STEP 8 06

Attach the final shelf (#6) to the final partition (#5) by inserting the dowels into the designated holes and inserting the double pin "D" into the shelf (#6).

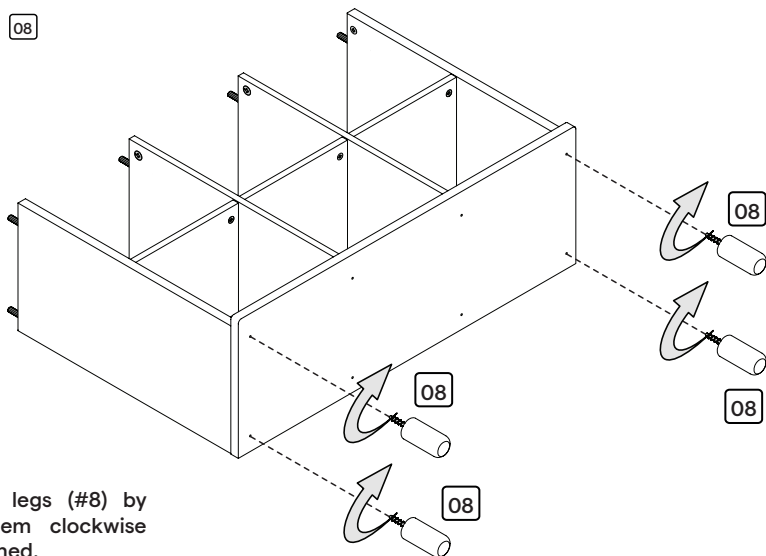


STEP 9 04

Connect the left side panel (#4) to the base (#2) by screwing hardware "A" into the holes indicated using a Phillips screwdriver. Using a Phillips screwdriver, further secure the final shelf (#6) to piece #4 and #5 by turning the cam lock nuts "C" clockwise until tightened. Be sure that the arrows on each cam lock nut "C" end pointing towards the inside of piece #6.

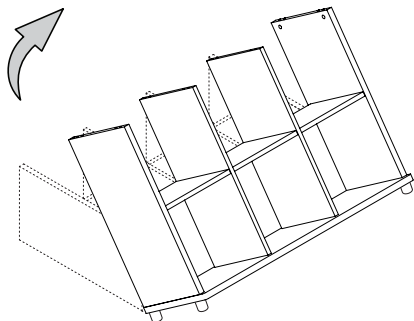


STEP 10 08

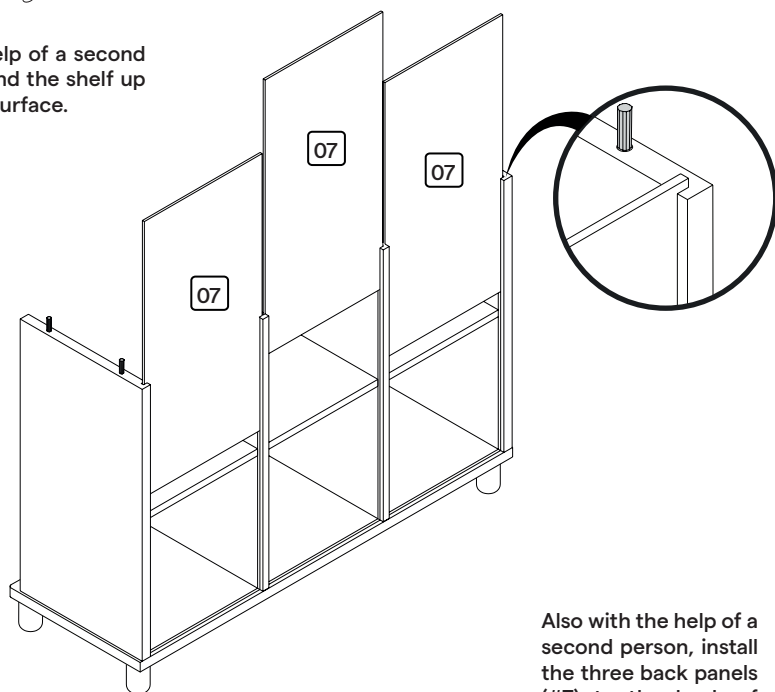


Install the legs (#8) by turning them clockwise until tightened.

STEP 11 07



With the help of a second person, stand the shelf up on a clean surface.

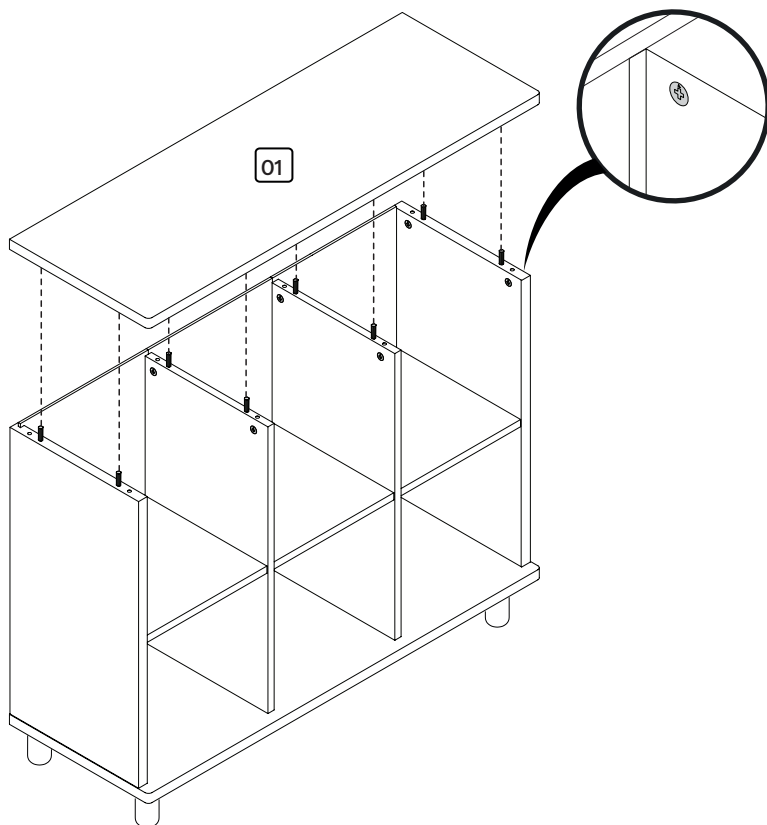


Also with the help of a second person, install the three back panels (#7) to the back of the structure by gliding them into the divots. Be sure that they are fully inserted and properly aligned before proceeding.

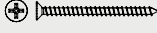
STEP 12 01


With the help of a second person, place the top panel (#1) onto the structure.

Using a screwdriver, further secure the top panel (#1) to the rest of the structure by turning each of the cam lock nuts "C" clockwise until tightened. Be sure that the arrows on each cam lock nut "C" end pointing away from piece #1.

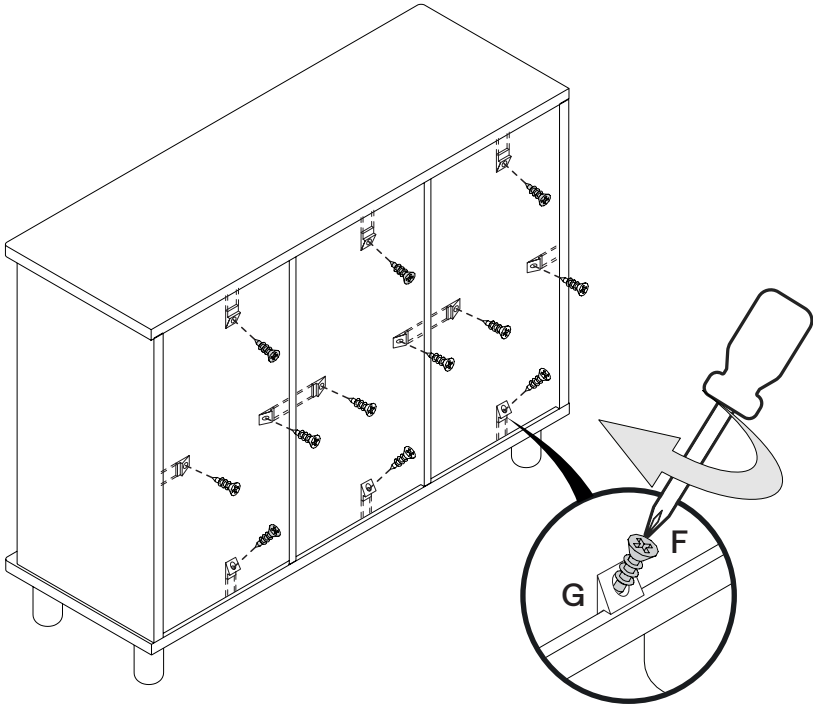


STEP 13

F Qty. 12

3.5x20mm screw

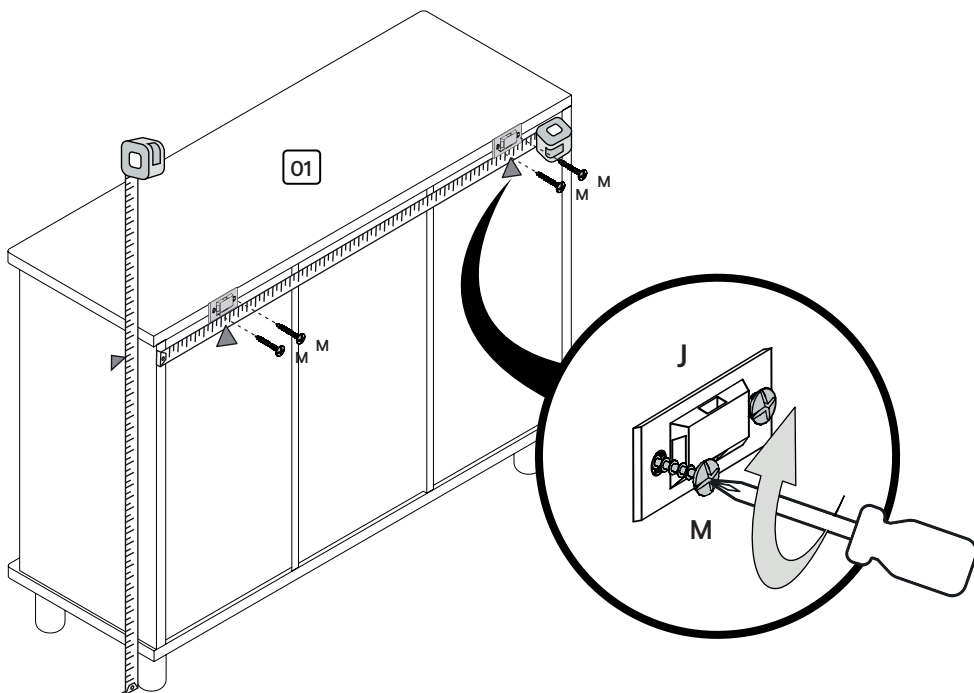
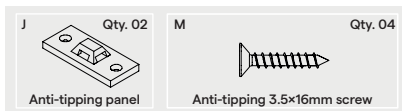
G Qty. 12

Back panel fastener

Use a Phillips head screwdriver and each “F” screw to attach the “G” back panel fasteners until tight.



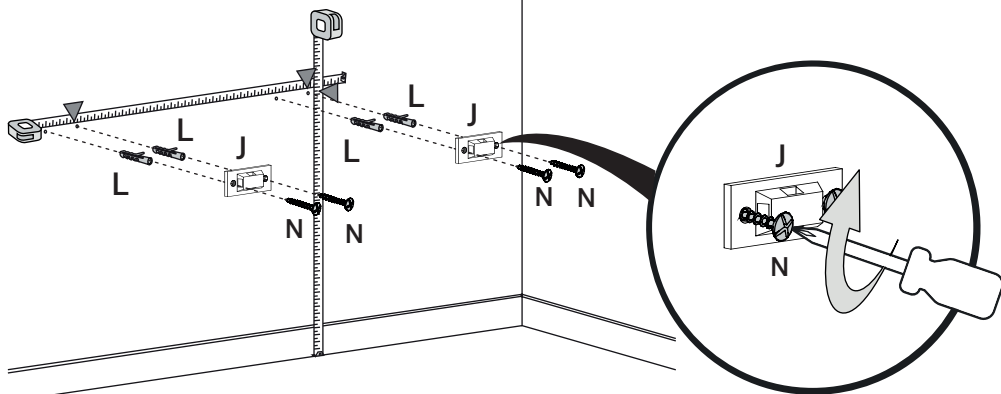
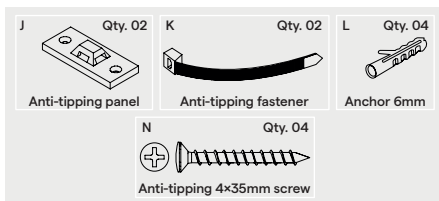
STEP 14

Attach two anti-tipping panels "J" onto the top panel (#1) using screws "M", as shown in the image below

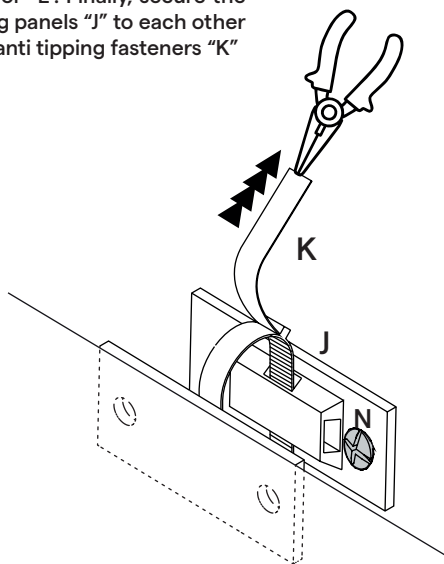
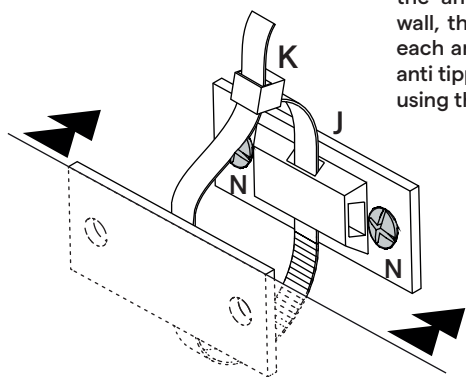


STEP 14

Position two more anti-tipping panels "J" onto a wall at the same height as the "J" pieces attached to the shelf. Drill to create holes in the wall corresponding to the holes in the pieces.

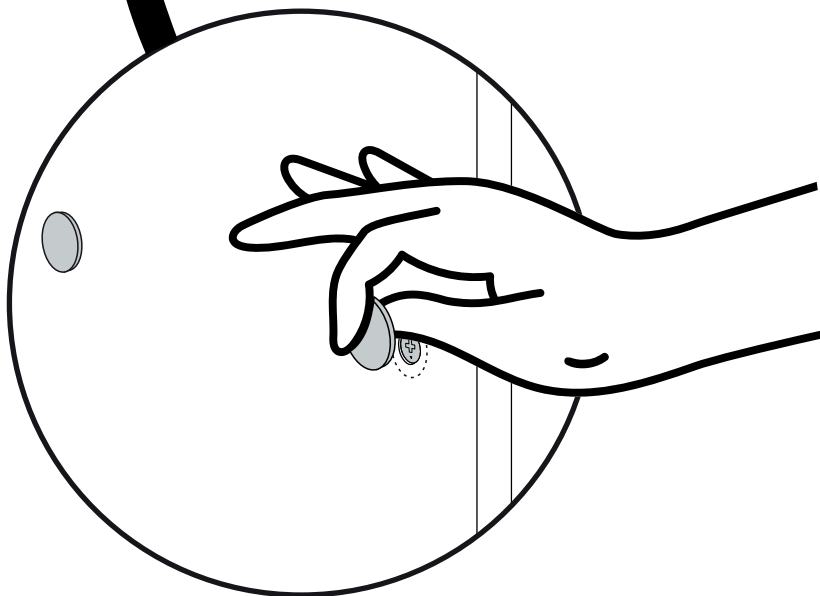
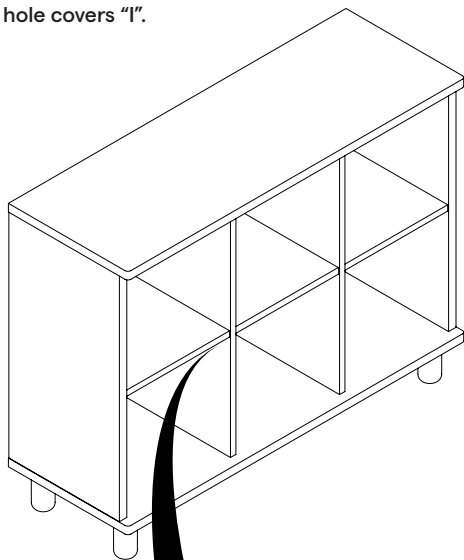


Insert the anchor pieces "L" into the holes in the wall. Then attach the anti-tipping panels "J" to the wall, threading the "N" screws into each anchor "L". Finally, secure the anti tipping panels "J" to each other using the anti tipping fasteners "K"



STEP 15

Optional: Cover any holes with the adhesive hole covers "H" and wooden adhesive hole covers "I".



We're Here to Help!

Our product specialists are on hand to answer any questions, help you set up and use your Nestig products, and bring the nursery you imagine to life:

Email us at hello@nestig.com
www.nestig.com/support
Monday - Friday | 10am-5pm ET

Nous sommes là pour vous aider!

Nos spécialistes produits sont à votre disposition pour répondre à toutes vos questions, vous aider à installer et utiliser vos produits Nestig et donner vie à la chambre d'enfant que vous imaginez:

Contactez-nous au hello@nestig.com
www.nestig.com/support
Lundi - Vendredi | 10h-17h HE



nestig.com



Nestig, Inc.
hello@nestig.com
PO Box 1106, New York, NY 10023