

NESTiG

The Hide & Seek Shelf



Please read all instructions before assembly
and use of product!

Lisez toutes les instructions avant
d'assembler et d'utiliser le produit!

Welcome to the Nestig World!

Our Warranty

Our products come with a limited two year warranty! We do our best to ensure everything arrives in perfect shape, but if anything arrives damaged, missing, or defective, our Customer Experience team is here to help.

Just email us at hello@nestig.com and we'll be glad to assist!

For more information on our warranty, visit:

<https://www.nestig.com/pages/warranty-policy>

Bienvenue dans le monde de Nestig!

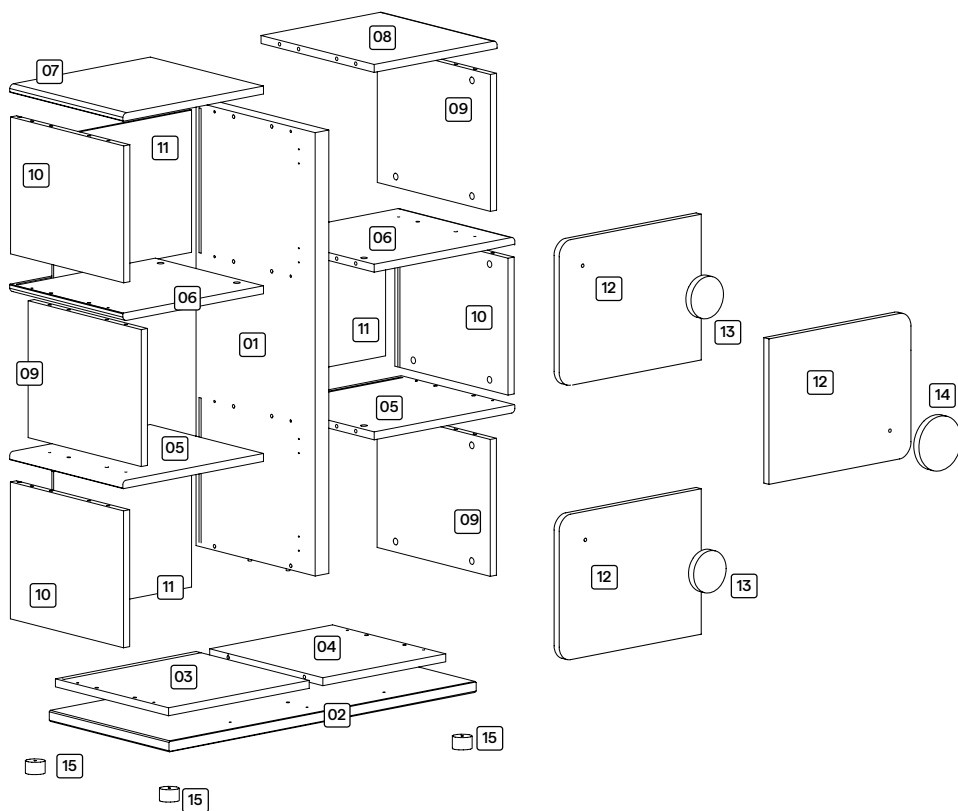
Notre Garantie

Nos produits sont accompagnés d'une garantie limitée de deux ans! Nous faisons de notre mieux pour que tout arrive forme parfaite, mais si quelque chose arrive endommagé, manquant ou défectueux, notre équipe Expérience Client est là pour vous aider.

Envoyez-nous un e-mail à hello@nestig.com et nous serons heureux de vous aider!

Pour plus d'informations sur notre garantie, visitez:

<https://www.nestig.com/pages/warranty-policy>



Item	Description	Quantity
01	Central Divider	01
02	Base	01
03	Lower left shelf base	01
04	Lower right shelf base	01
05	Middle shelf base	02
06	Top shelf base	02
07	Left top panel	01
08	Right top panel	01
09	Side without rail	03
10	Side with rail	03
11	Back panel	03
12	Door	03
13	Small handle	02
14	Large handle	01
15	Feet	04

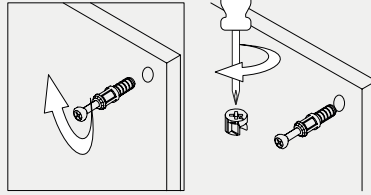
Not included: Phillips head screwdriver and hammer



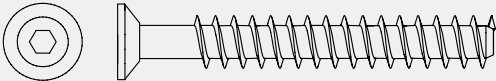
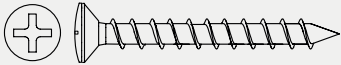

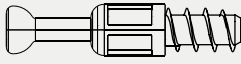

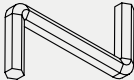
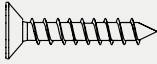
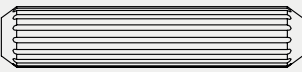

Phillips head screwdriver

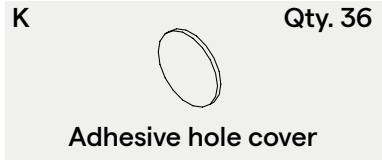
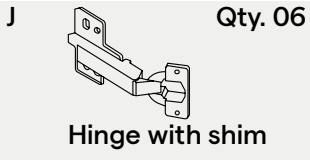
How to use the cam lock nut and bolt

Figure (01)

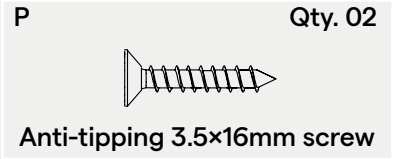
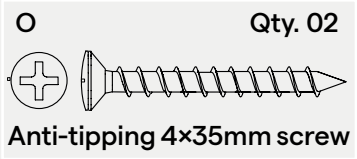
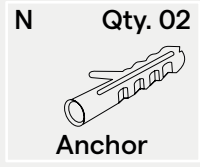
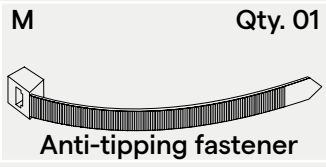
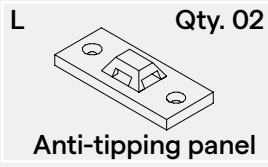


Hardware list

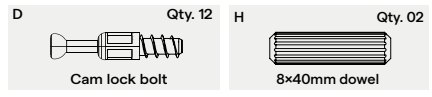
- | | | |
|---|---|---|
| <p>A Qty. 02</p>  <p>7x50mm flat head screw</p> | <p>B Qty. 11</p>  <p>4x35mm screw</p> | |
| <p>C Qty. 36</p>  <p>4x14mm screw</p> | <p>D Qty. 36</p>  <p>Cam lock bolt</p> | <p>E Qty. 36</p>  <p>Cam lock nut</p> |
| <p>F Qty. 01</p>  <p>Z wrench</p> | <p>G Qty. 06</p>  <p>3.5x20mm screw</p> | <p>H Qty. 42</p>  <p>8x40mm dowel</p> |
| <p>I Qty. 06</p>  <p>Back panel fastener</p> | | |



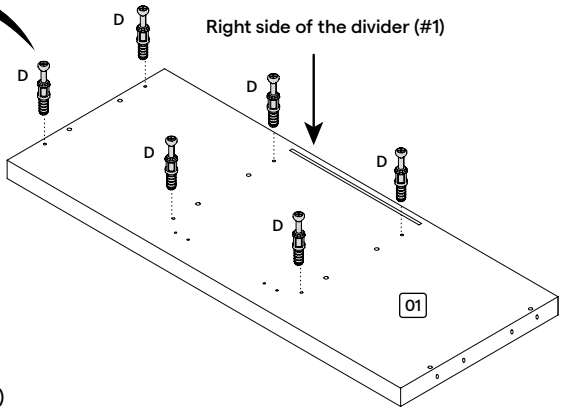
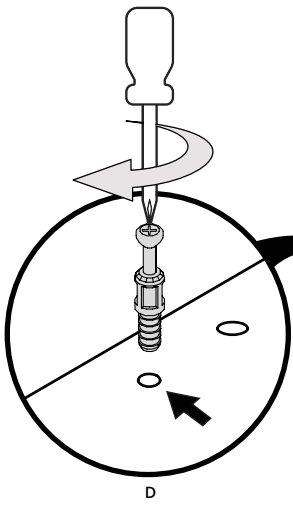
Anti-Tipping Kit



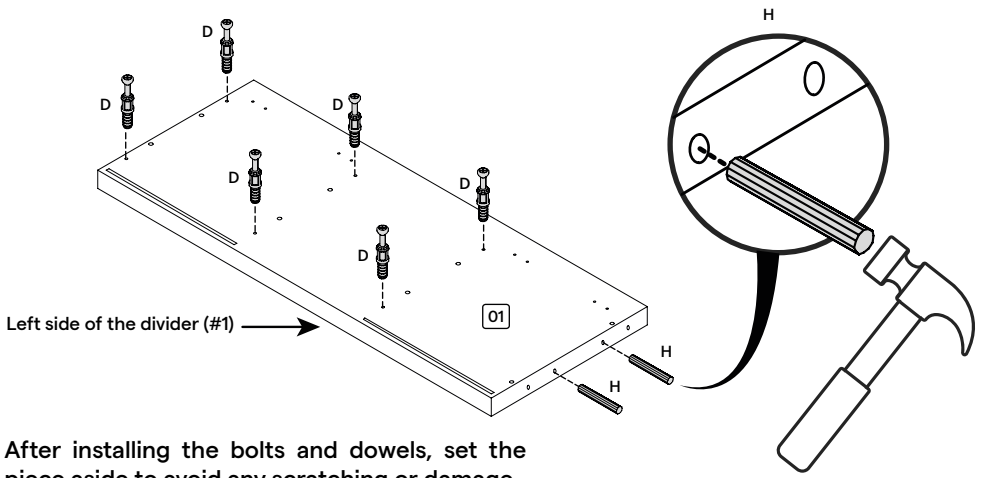
STEP 1 01



Place the central divider (#1) on a clean and smooth surface. Insert each cam lock bolt "D" into the indicated holes on the both faces of piece #1 and screw clockwise until tightened. Insert the dowels "H" into the indicated holes on the side of piece #1, tapping lightly with a hammer.

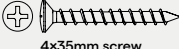

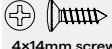


Left side of the divider (#1)

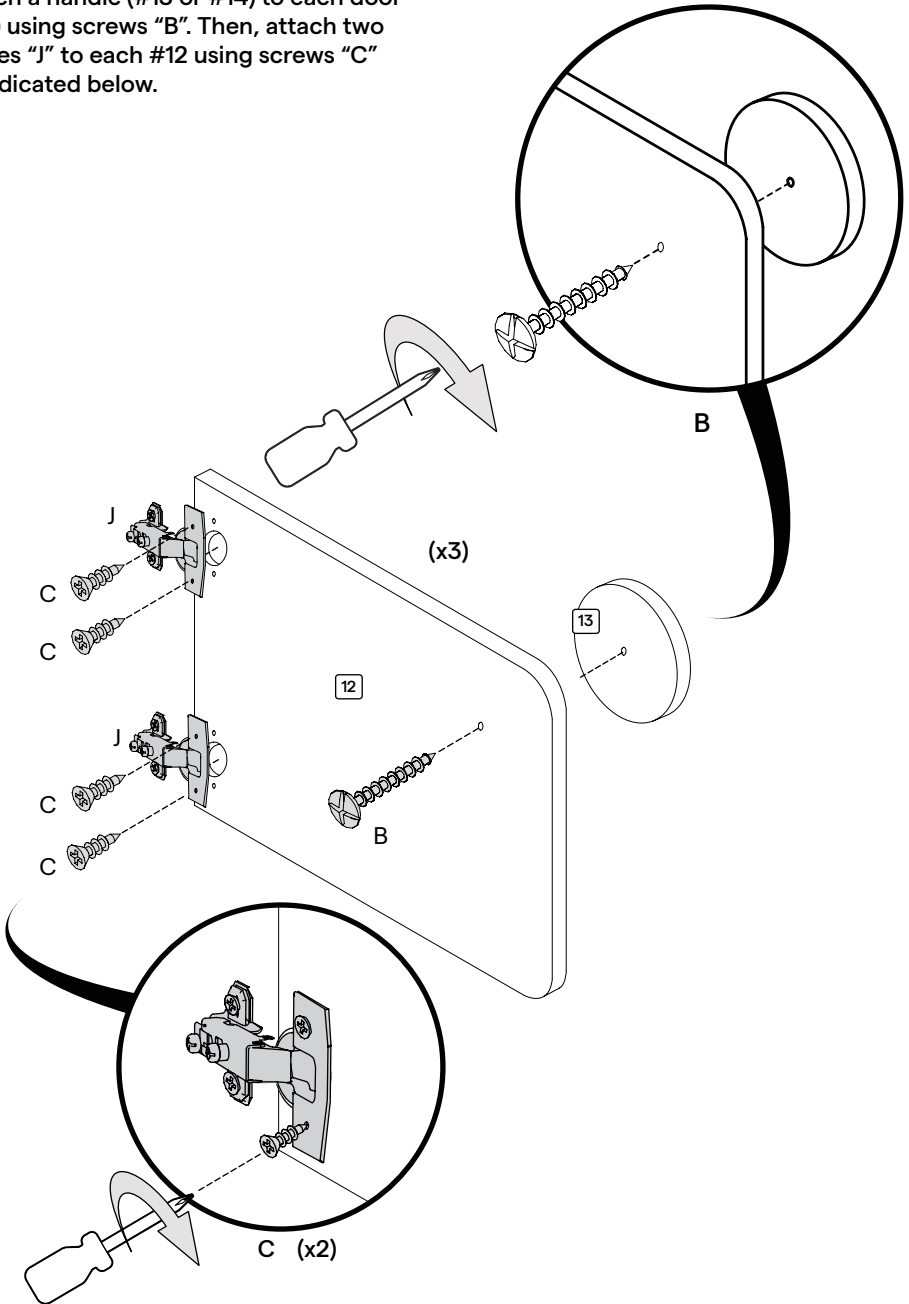


After installing the bolts and dowels, set the piece aside to avoid any scratching or damage.

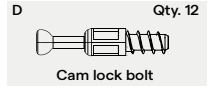
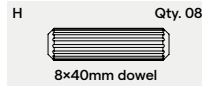
STEP 2 12 13

B	Qty. 03	J	Qty. 06	C	Qty. 12
					
4x35mm screw		Hinge with shim		4x14mm screw	

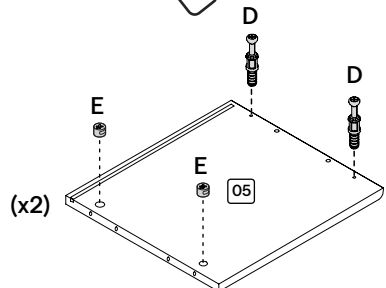
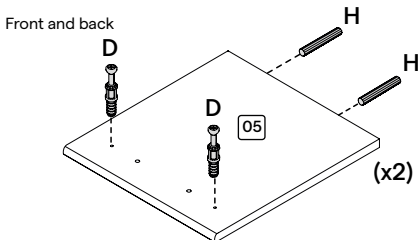
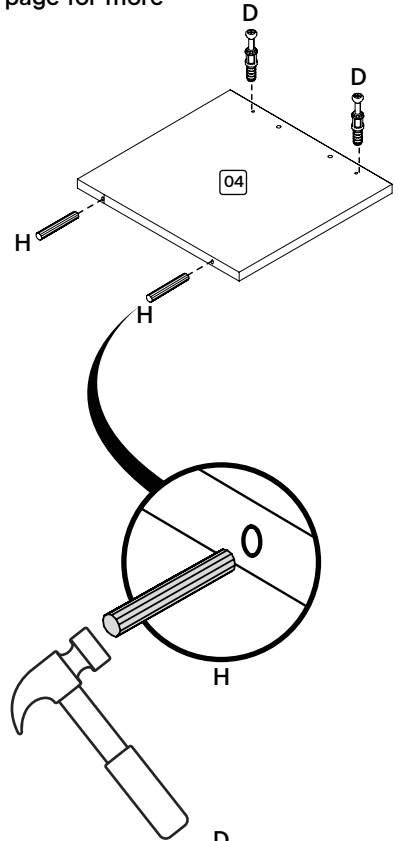
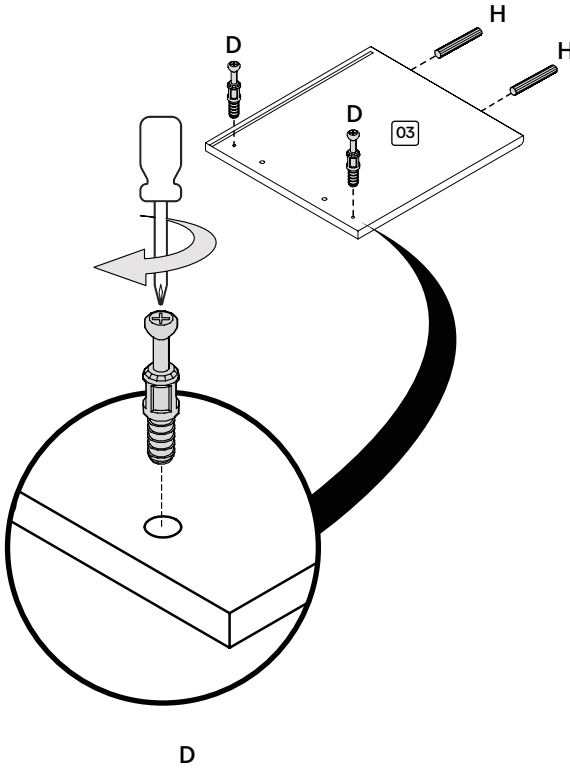
Attach a handle (#13 or #14) to each door (#12) using screws "B". Then, attach two hinges "J" to each #12 using screws "C" as indicated below.



STEP 3 03 04 05



Position and insert the cam lock bolts "D" in their respective holes in pieces #3-#9 as shown below, screwing clockwise until tightened. Insert the dowels "H" into the indicated holes on the side of pieces #3-#10, tapping lightly with a hammer. Insert the cam lock nuts into the indicated holes on #5-#10. See note on the next page for more detailed instructions.

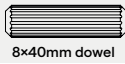


After installing the bolts and dowels, set the parts aside to avoid any scratching or damage.

See note on next page for instructions about installing "E"

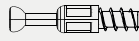
06 07 08 09 10

H Qty. 32



8x40mm dowel

D Qty. 12

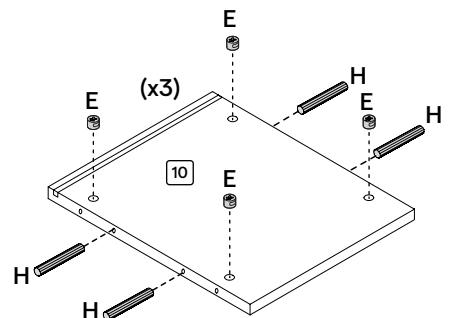
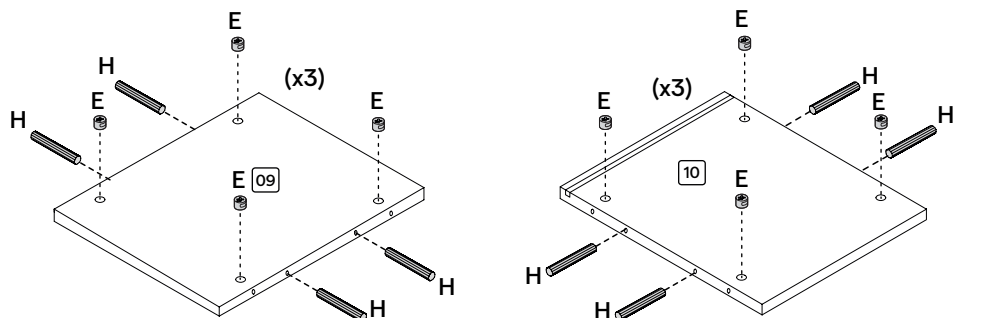
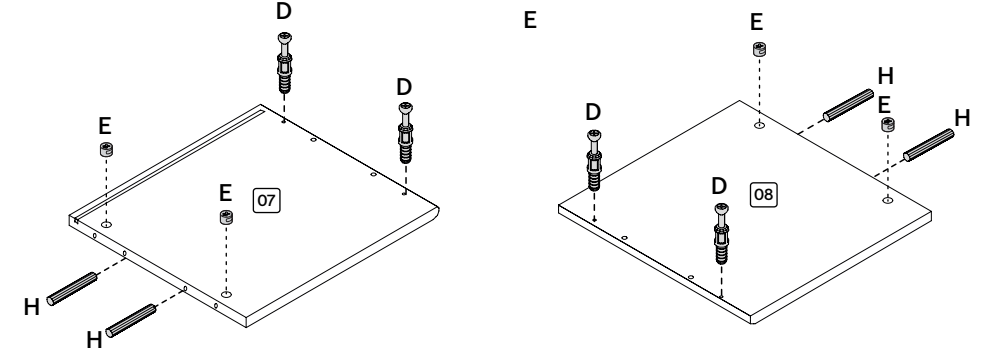
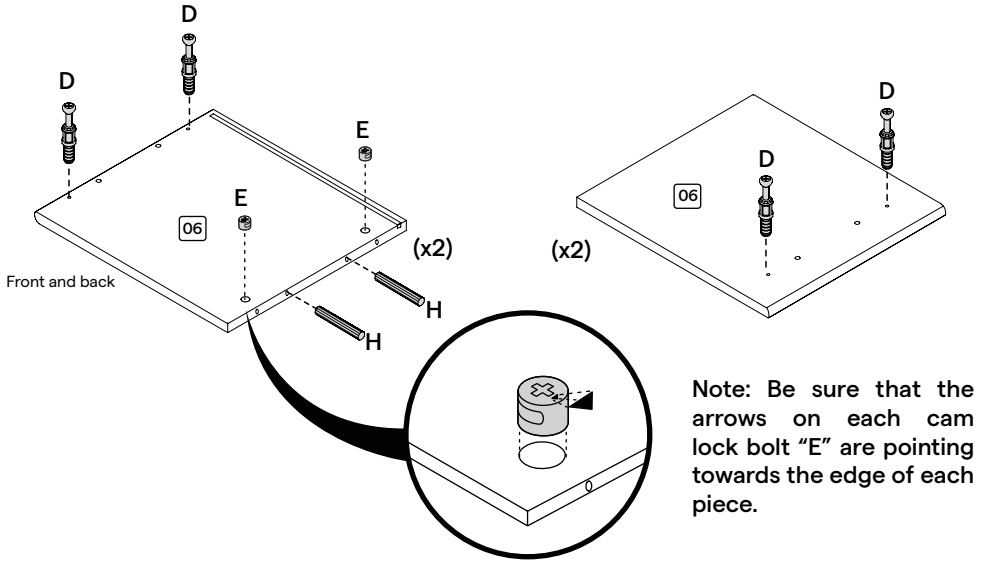


Cam lock bolt

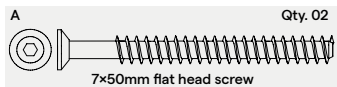
E Qty. 32



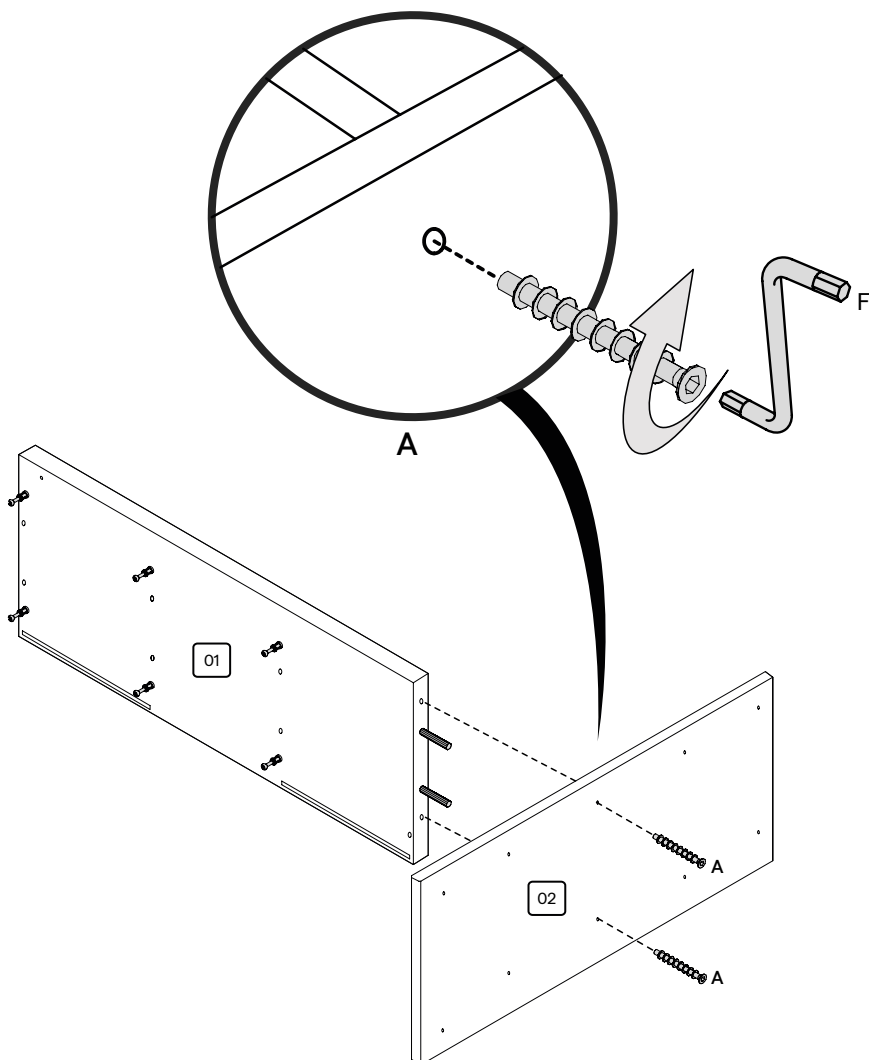
Cam lock nut



STEP 4 01 02

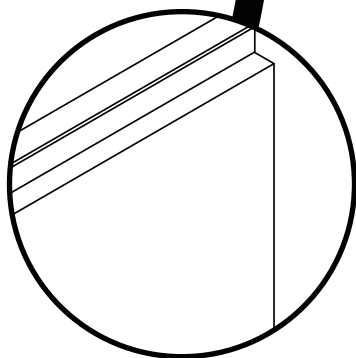
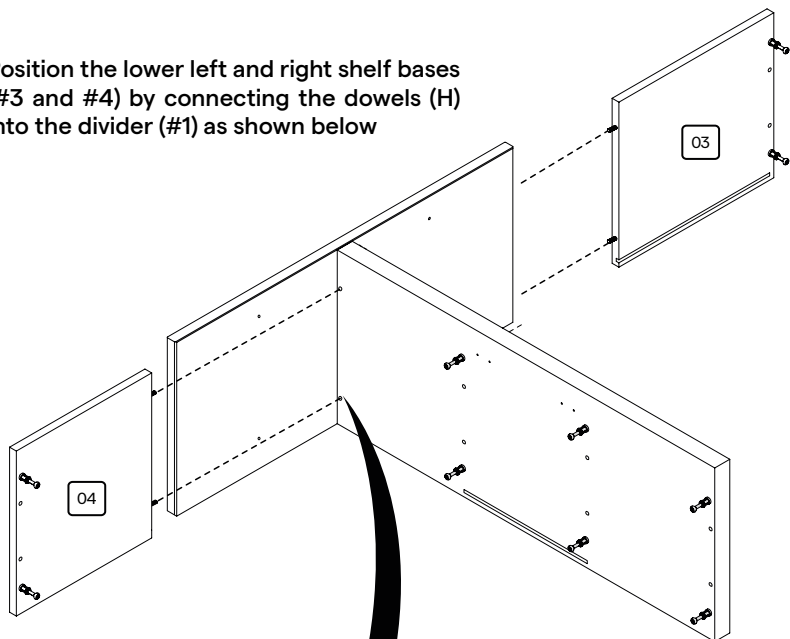


On a clean and soft surface, position the divider (#1) and the base (#2) as shown below, guiding the dowels "H" into the pre-drilled holes in #2. With the help of a second person, install the flat head screws "A" in the holes shown below using the Z wrench "F". Screw clockwise until tightened.

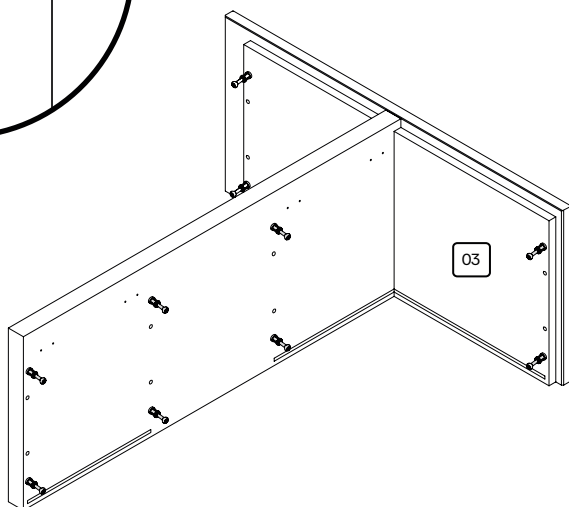


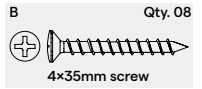
STEP 5 03 04

Position the lower left and right shelf bases (#3 and #4) by connecting the dowels (H) into the divider (#1) as shown below

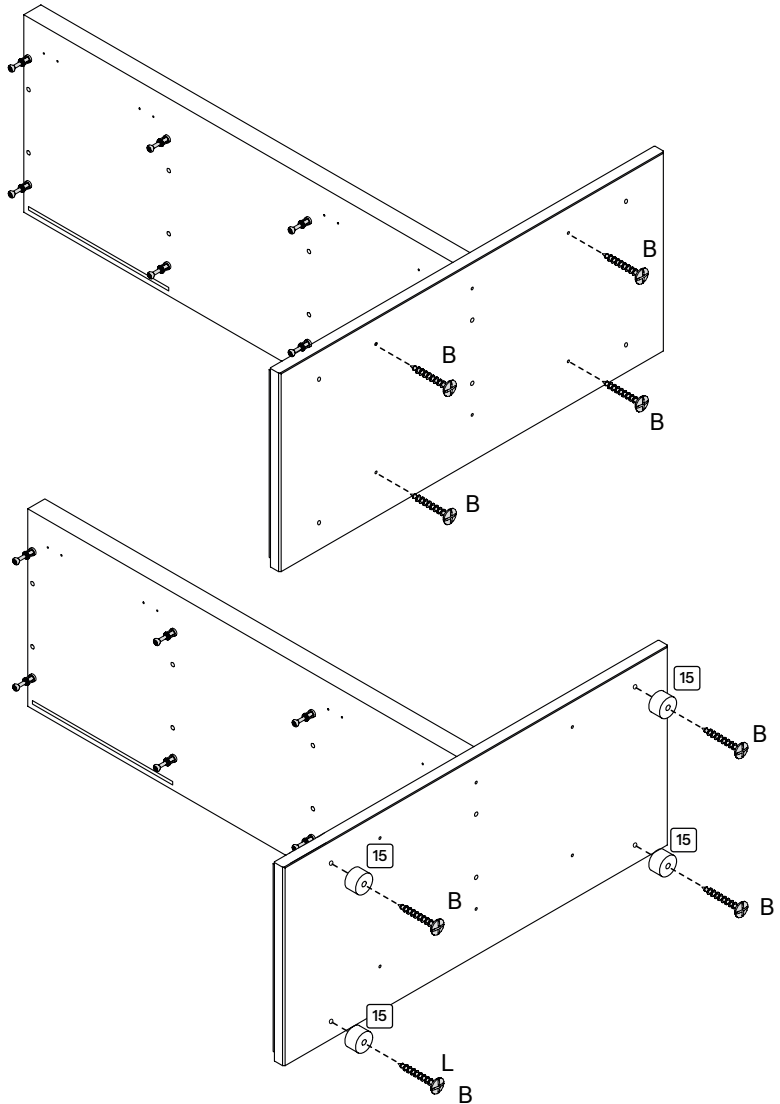


Be sure that parts #4 and #1 and #3 and #1 are well connected, without gaps.



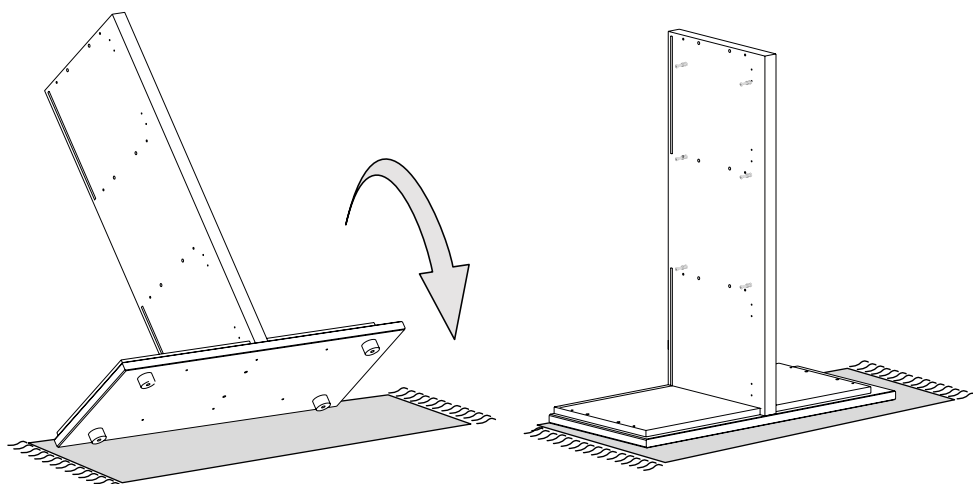
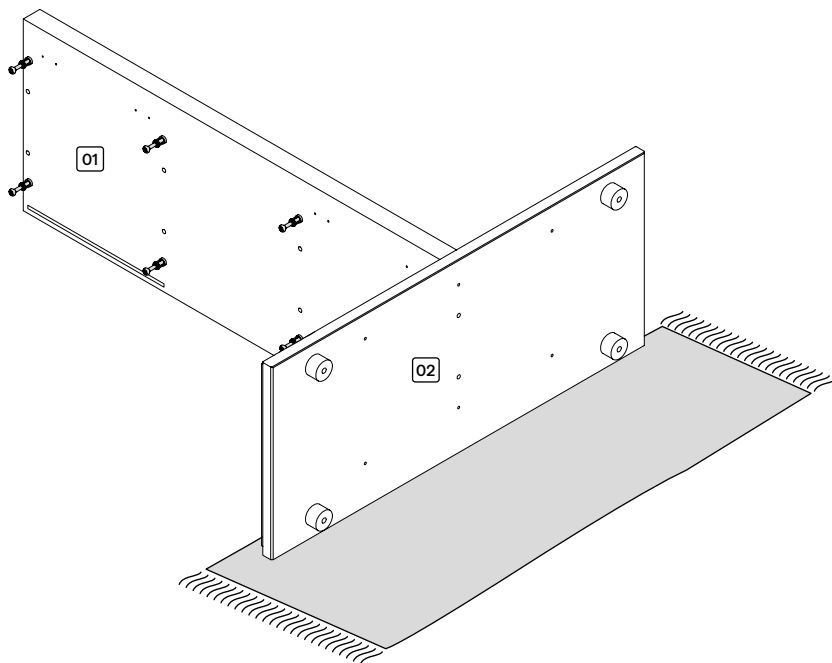


To further secure the lower shelf bases (#3 and #4) to the base (#2), insert the 4x35mm screws "B" in the holes indicated below and screw clockwise with a Phillips screwdriver to tighten.



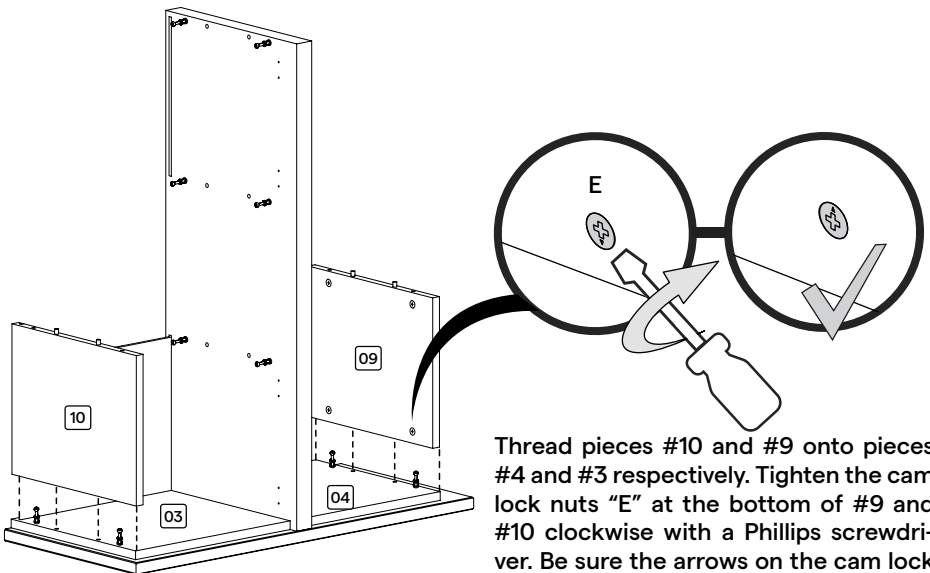
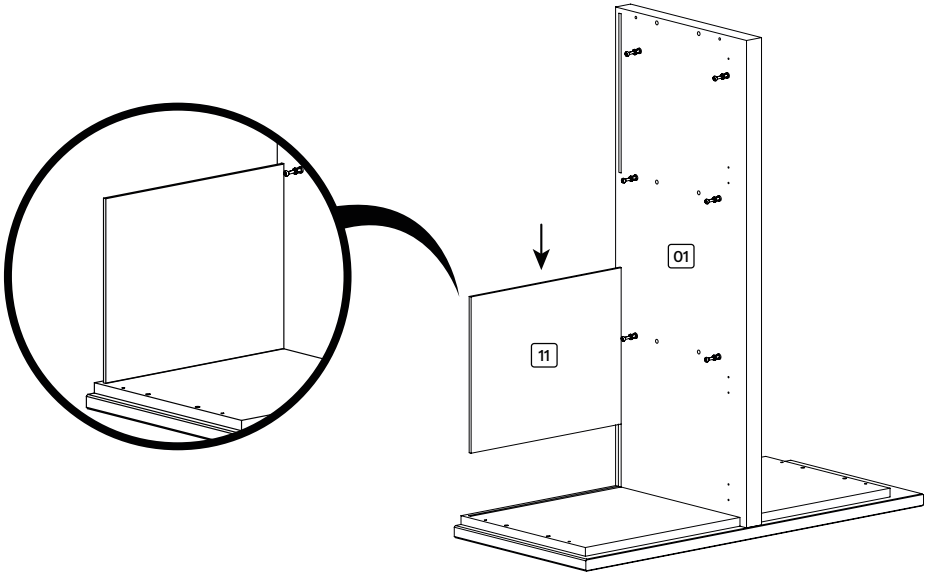
Position the feet (#15) and screws "B" over the indicated holes and screw clockwise with a Phillips screwdriver to attach and tighten.

Using a soft surface under the base, move the structure to an upright position.



STEP 6 01 03 04 09 10 11

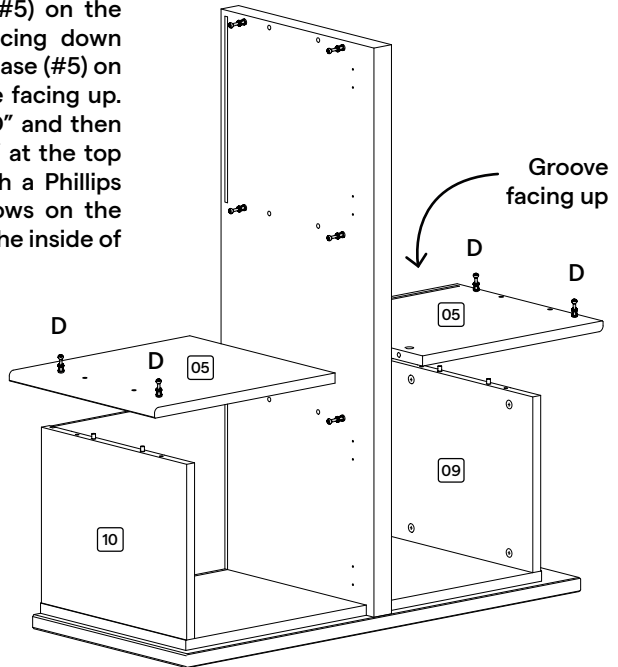
Slide the back panel (#11) into the indicated rail in piece #1, as shown in the image below.



Thread pieces #10 and #9 onto pieces #4 and #3 respectively. Tighten the cam lock nuts "E" at the bottom of #9 and #10 clockwise with a Phillips screwdriver. Be sure the arrows on the cam lock nuts "E" end facing the inside of pieces #9 and #10.

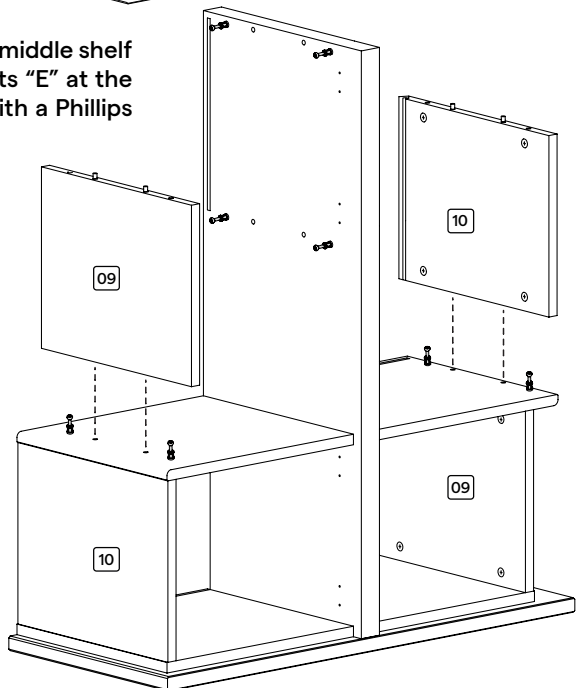
STEP 7 05 09 10

Attach a middle shelf base (#5) on the left side with the groove facing down and the second middle shelf base (#5) on the right side with the groove facing up. Tighten the cam lock bolts "D" and then tighten the cam lock nuts "E" at the top of #9 and #10 clockwise with a Phillips screwdriver. Be sure the arrows on the cam lock nuts "E" end facing the inside of pieces #9 and #10.



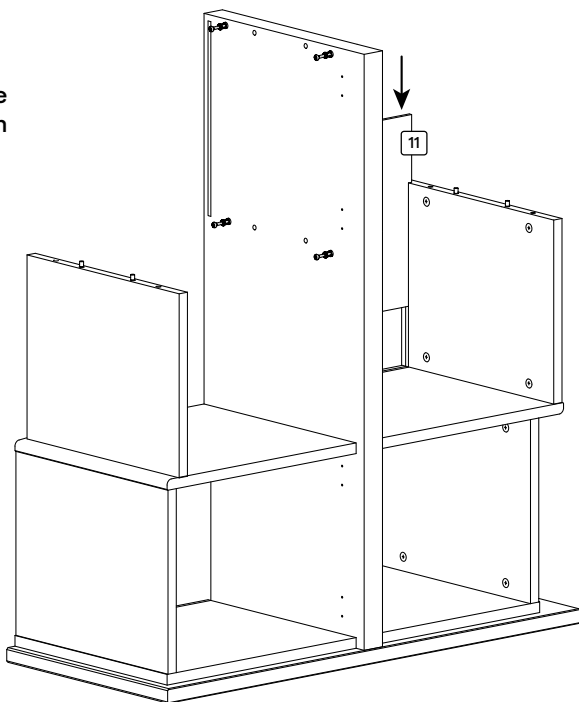
Thread pieces #10 and #9 onto the middle shelf base (#5). Tighten the cam lock nuts "E" at the bottom of #9 and #10 clockwise with a Phillips screwdriver.

Be sure the arrows on the cam lock nuts "E" end facing the inside of pieces #9 and #10.

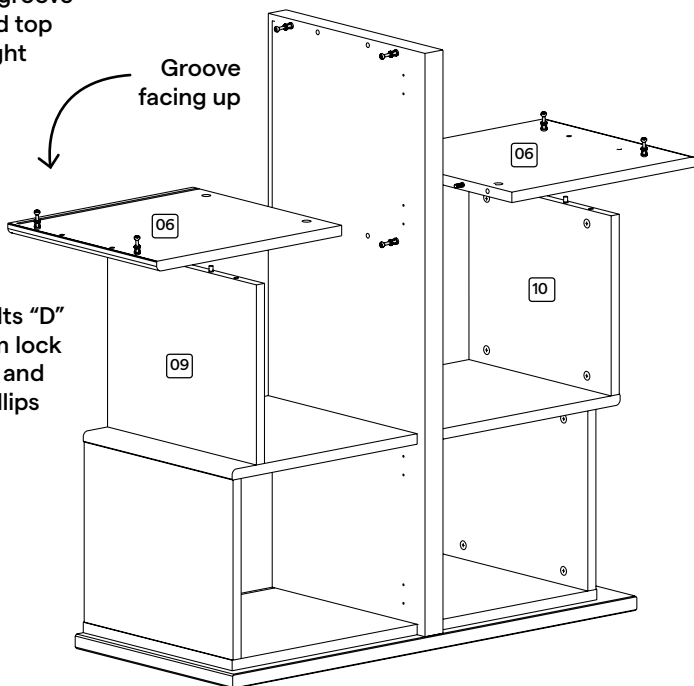


STEP 8 06 09 10 11

Slide the back panel (#11) into the indicated rail in piece #10, as shown in the image below



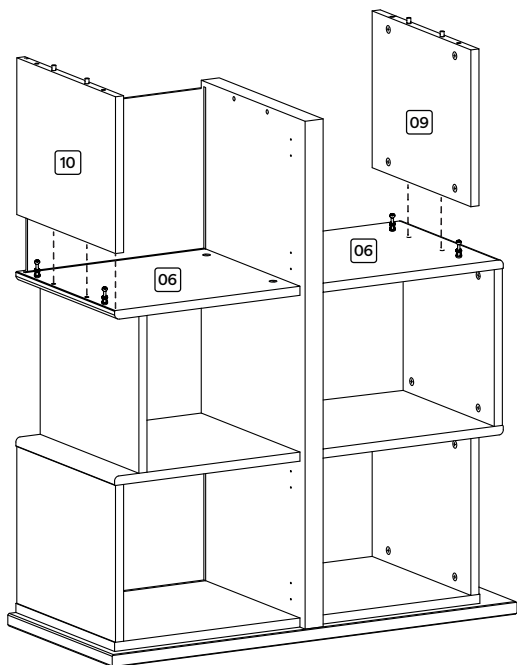
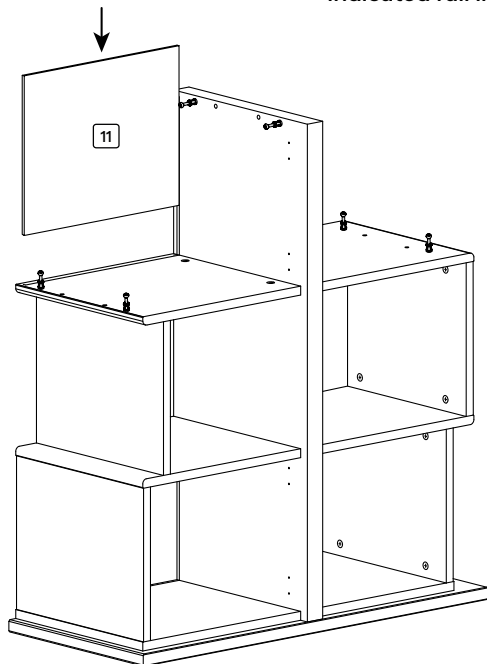
Attach a top shelf base (#6) on the left side with the groove facing up and the second top shelf base (#6) on the right side with the groove facing down.



Tighten the cam lock bolts "D" and then tighten the cam lock nuts "E" at the top of #9 and #10 clockwise with a Phillips screwdriver. Be sure the arrows on the cam lock nuts "E" end facing the inside of pieces #9 and #10.

STEP 9 09 10 11

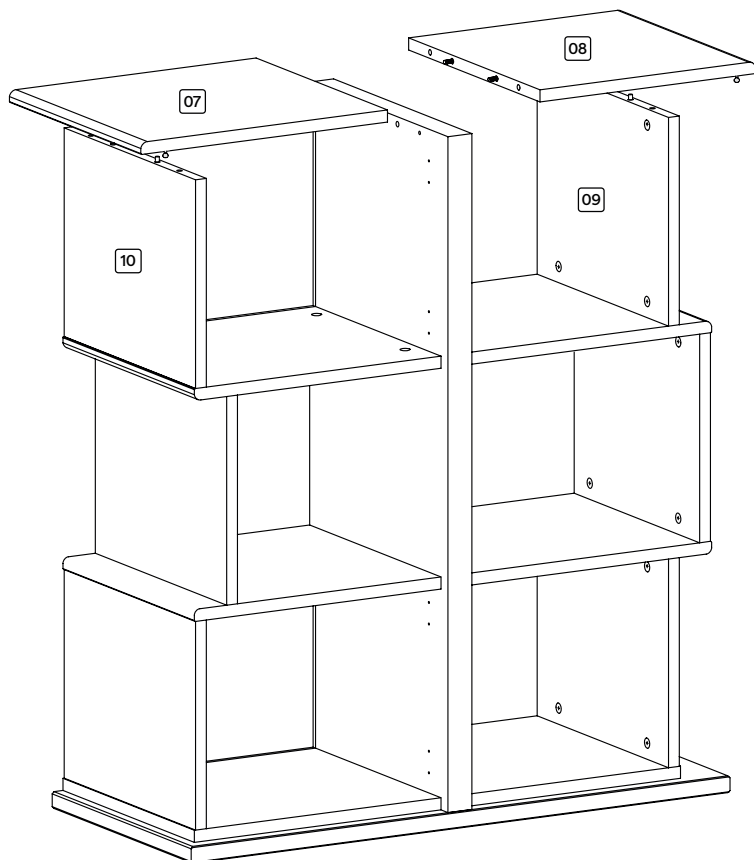
Slide the back panel (#11) into the indicated rail in piece #1, as shown in the image below



Thread pieces #10 and #9 onto the top shelf base (#6). Tighten the cam lock nuts "E" at the bottom of #5, #9, and #10 clockwise with a Phillips screwdriver. Be sure the arrows on the cam lock nuts "E" end facing the inside of pieces #9 and #10.

STEP 10 07 08 09 10

Attach the left and right top panel (#7 and #8) and tighten the cam lock bolts "D". Be sure that the groove on piece #7 is facing down. Tighten the cam lock nuts "E" at the top of #9 and #10 clockwise with a Phillips screwdriver. Be sure the arrows on the cam lock nuts "E" end facing the inside of pieces #9 and #10.



STEP 11 11

G Qty. 06



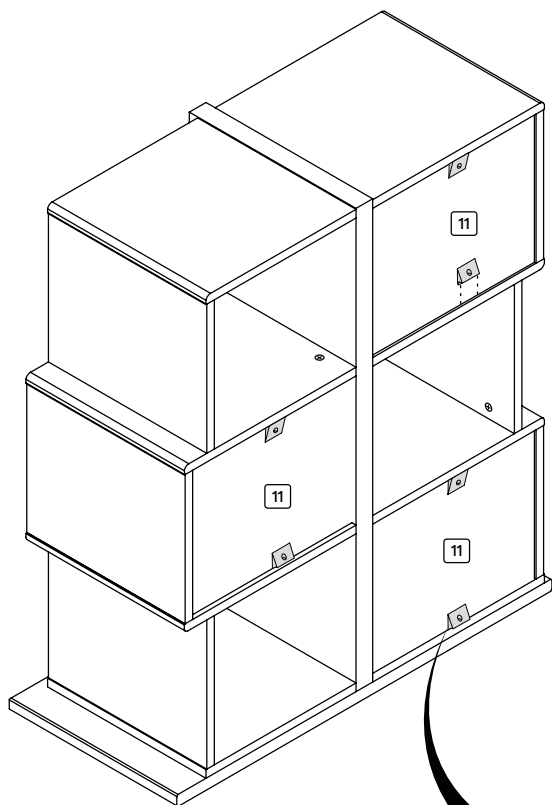
3.5×20mm screw

I Qty. 06

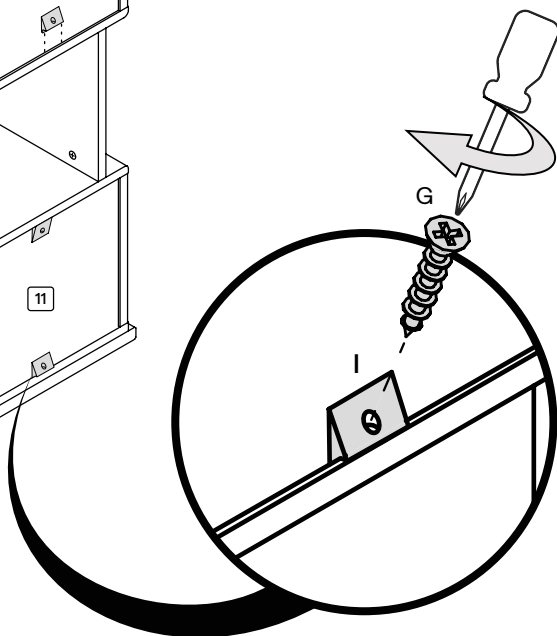


Back panel fastener

Position all back panel fasteners at the top and bottom of each back panel (#11), as shown below.



Using a Phillips screwdriver, attach each back panel fastener "I" using screw "G", turning clockwise until tight.



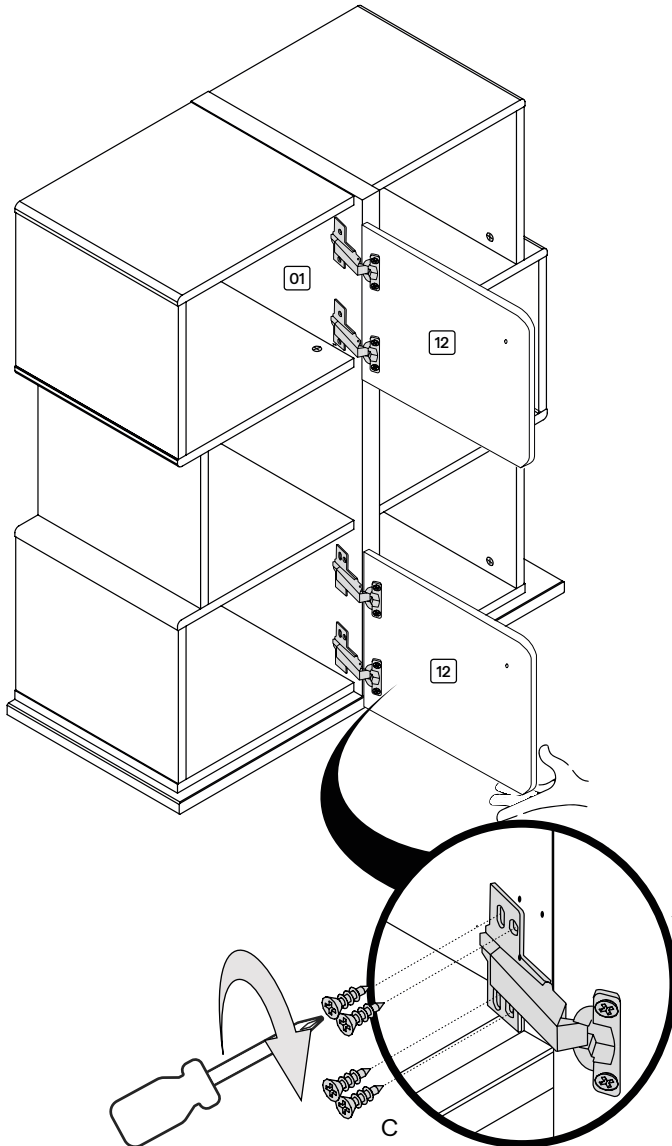
STEP 12 01 12

C Qty. 24



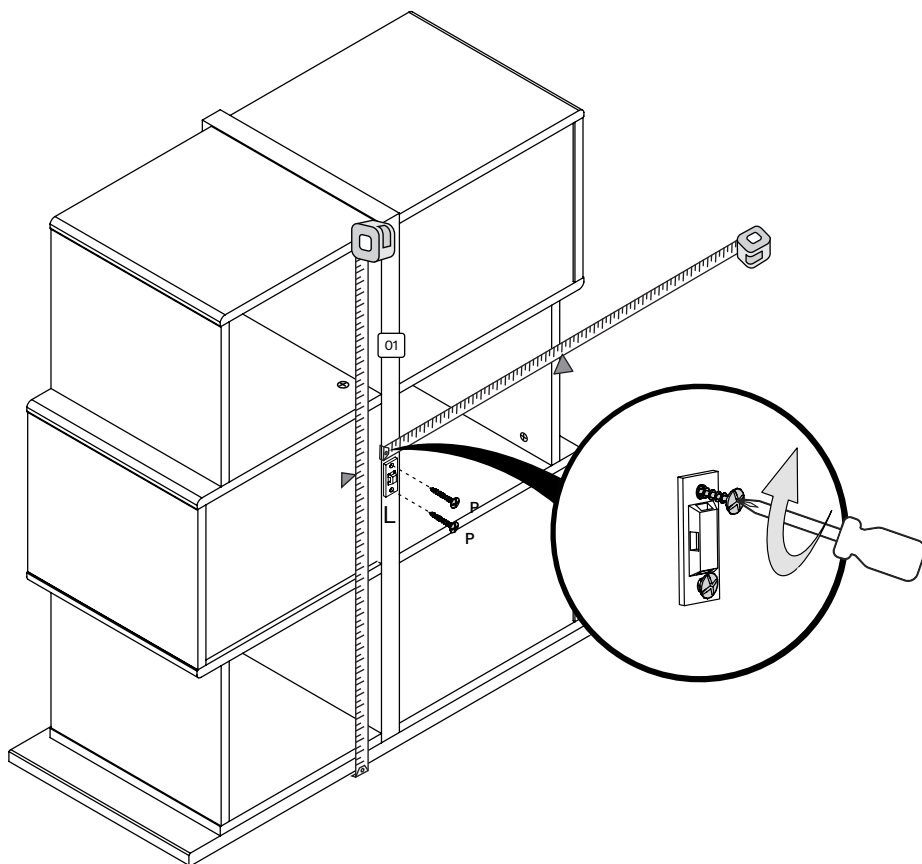
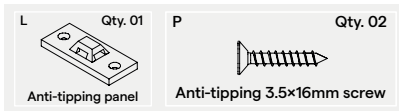
4x14mm screw

With the help of a second person, line up the hinges attached to each door (#12) with the holes on the divider (#1). Use the 4x14mm screws "C" and a Phillips screwdriver to secure each door to the frame. The doors with the small handle (#13) will go on the bottom and top of the structure and the door with the large handle (#14) will go in the middle of the structure.

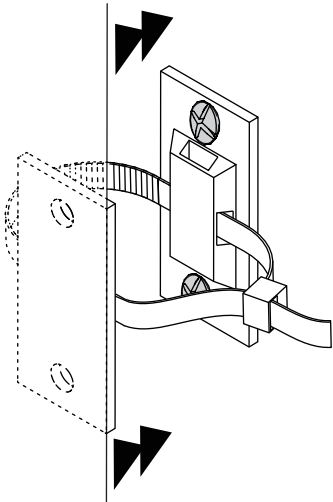
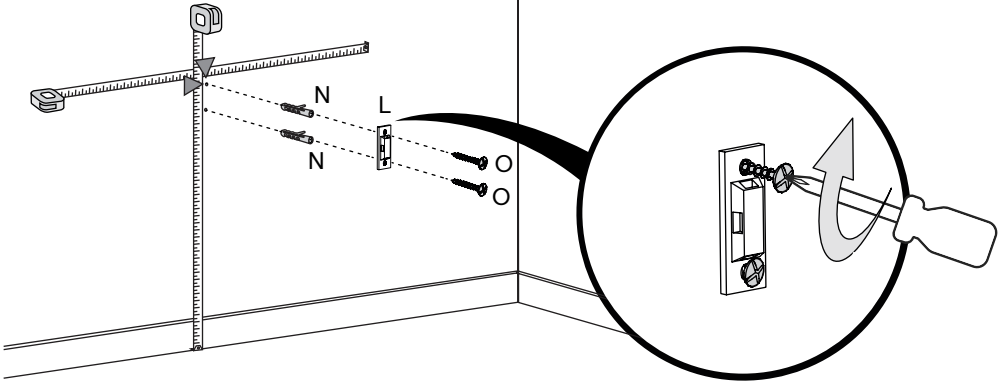
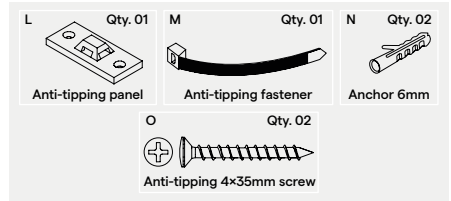


STEP 13

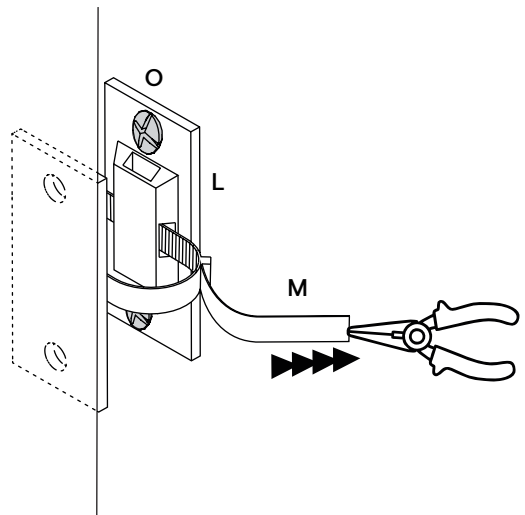
Attach the anti-tipping panel "L" onto the divider (#1) using screws "P", as shown in the image below.



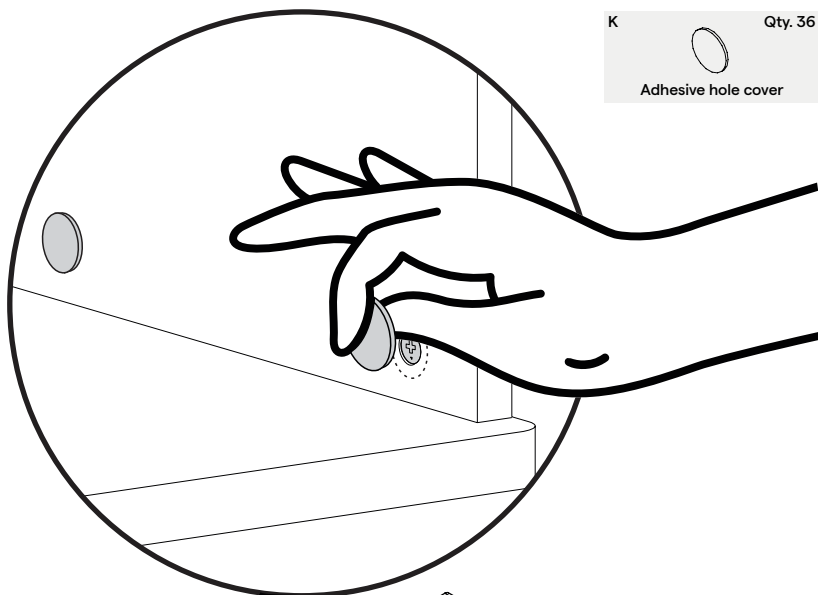
Position the second anti-tipping panel "L" onto a wall at the same height as the anti-tipping panel piece "L" attached to the shelf and use a drill to create holes in the wall corresponding to the holes in the piece.



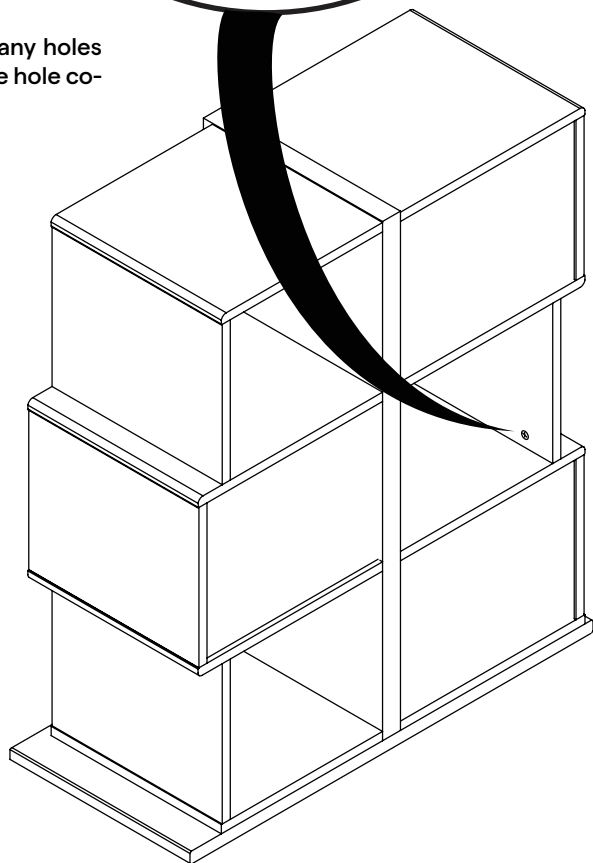
Insert the anchor pieces "N" into the holes in the wall. Then attach piece L to the wall, threading the "O" screws into each anchor "N". Finally, secure the anti tipping panels to each other using the anti tipping fastener "M".



STEP 14



Optional: Cover any holes with the adhesive hole covers "K".



We're Here to Help!

Our product specialists are on hand to answer any questions, help you set up and use your Nestig products, and bring the nursery you imagine to life:

Email us at hello@nestig.com
www.nestig.com/support
Monday - Friday | 10am-5pm ET

Nous sommes là pour vous aider!

Nos spécialistes produits sont à votre disposition pour répondre à toutes vos questions, vous aider à installer et utiliser vos produits Nestig et donner vie à la chambre d'enfant que vous imaginez:

Contactez-nous au hello@nestig.com
www.nestig.com/support
Lundi - Vendredi | 10h-17h HE



nestig.com



Nestig, Inc.
hello@nestig.com
PO Box 1106, New York, NY 10023